



WORCESTER

Bosch Group

WALL SPACING FRAME FOR 24, 26, 28CDi RSF & BOSCH RX2

THESE INSTRUCTIONS SHOULD BE USED ALONGSIDE THE INSTALLATION AND SERVICING INSTRUCTIONS SUPPLIED WITH THE APPLIANCE

Gas safety (Installation and Use) Regulations 1984: All appliances must be installed by a competent person, in accordance with the above regulations. Failure to install the appliance correctly could lead to prosecution. The manufacturers notes must not be taken in any way as over-riding statutory obligations.

WARNING: This appliance must be earthed and protected by a 3A fuse if a 13A plug is used, or, if any other type of plug is used by a 5A fuse either in the plug or adaptor or at the distribution board.

Pack Contents

Quantity	Description	WHS Part No.
1	Top Bracket	8 716 100 212
2	Frame Sides	8 716 101 071
8	M6 Bolts	2 911 131 197
8	M6 Nuts	2 915 011 007
1	Woodscrew	8 716 155 026
1	Washer	2916 011 884
1	Raw Plug	8 716 155 054
1	Spacer	8 716 101 375

ASSEMBLING THE FRAME

The sides are joined together using the top bracket and two of the nuts and bolts (the sides are not handed so either can be used for either side), ensuring that the two centre holes are uppermost (Fig.1.)

Fasten the appliance mounting plate to the spacing frame using the remaining nuts and bolts (Fig.1.)

FITTING THE FRAME TO THE WALL

Check the position chosen for the appliance as in accordance with the instructions given in Sections 4 and 5 of the Installation and Servicing Instructions supplied with the appliance.

Hold the frame assembly to the wall. Check the frame is horizontal and mark the position of the seven fixing holes and draw a horizontal line along the top of the frame. See Fig. 2. Draw a vertical line through the centre of this line.

REAR FLUE - Measure 80mm from the horizontal line upwards from the intersection of the central vertical line and draw a horizontal line. This is the centre point of the flue hole. See Fig. 3.

SIDE FLUE - Extend the horizontal line from Figure 2 along the appropriate wall, checking that the line is still horizontal. Continue for 230mm from the junction of the wall and then draw a horizontal line above 80mm. This gives the centre point of the flue hole. See Fig.3.

Drill the seven fixing holes 60mm deep for No. 12 size plugs. Cut the flue duct hole at 110mm diameter (150mm dia. for internal fitting). Ensure the hole is horizontal before tightening the screws.

Refer to the Installation and Servicing Instructions supplied with the appliance to complete the installation of the appliance.

EXTERNAL FITTING OF THE DUCT ASSEMBLY

REAR FLUE ASSEMBLY

When the lengths are calculated for the air duct and flue duct an **extra 34mm** needs to be added to the length calculated using the instructions given in Section 11.4 (24/28CDi) or Section 10.4 (26CDi/Bosch RX2) of the Installation and Servicing Instructions supplied with the appliance.

SIDE FLUE ASSEMBLY

No change is necessary to the length calculated in Section 11.4 (24/28CDi) or Section 10.4 (26CDi/Bosch RX2) of the Installation and Servicing Instructions supplied with the appliance.

Fig. 1. Fixing Points x7 = A

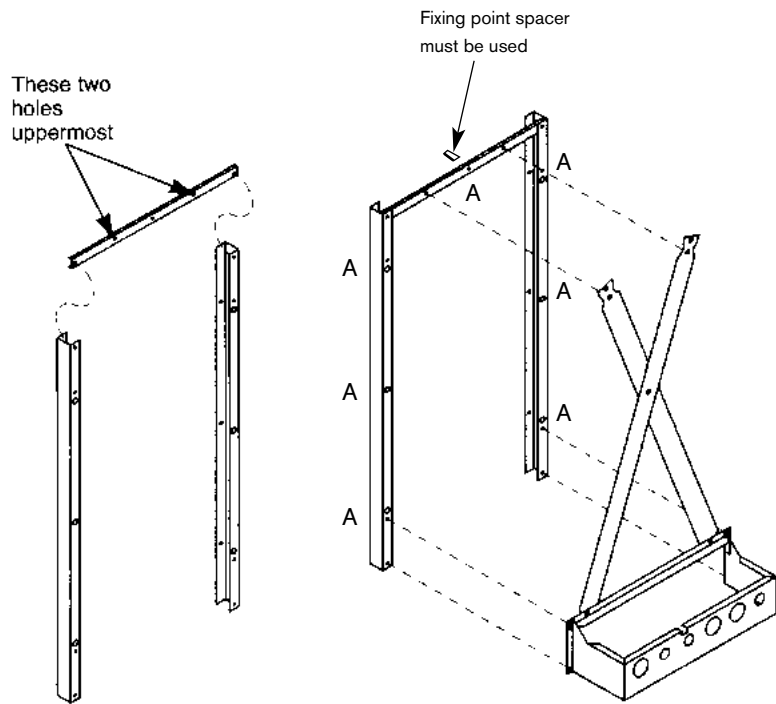


Fig. 2.

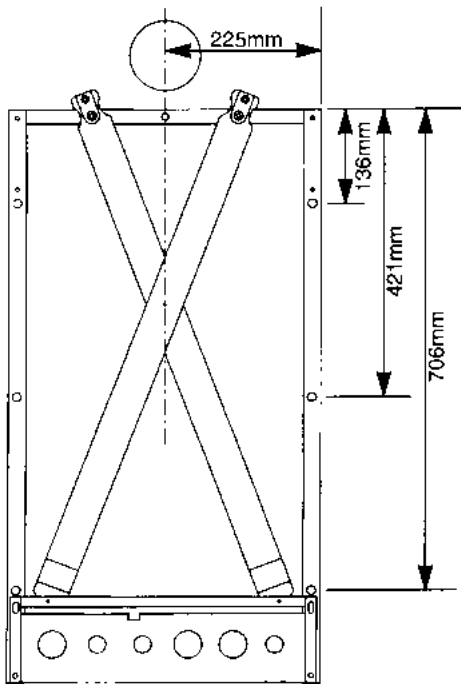


Fig. 3.

